



Transnational Leader+ Project

Horsepower – Innovation in agriculture and gardening

Project objectives

- Promote regional organic food production
- Networking of different actors for the development, construction, and field testing of new work horse equipment with innovative technologies
- Technical support for smallholder farms and market gardeners

The initiator and project leader is the European network Schaff mat Pærd asbl, registered as non-profit association in Luxembourg.

Project approvals

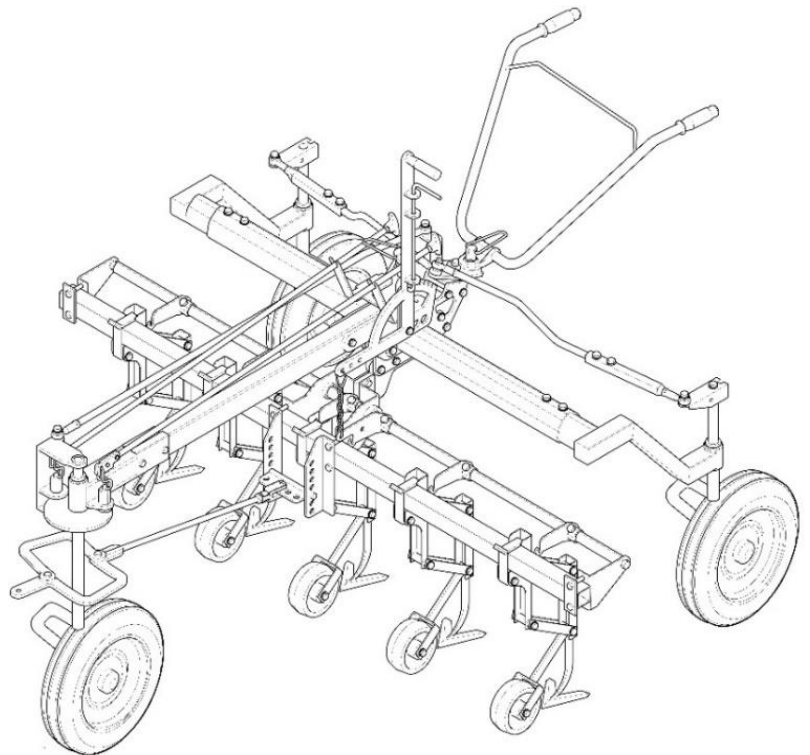
The LAG Lëtzebuerg West / MAVDR from Luxembourg (07.01.19 / project code LW 19.3a nr 2) and the LAG PH / JV from Sweden (2020-10-01 / Journal nr 2020-2840) have agreed to carry out a feasibility study about a later transnational cooperation project on the modern use of work horses in regenerative and sustainable farming and gardening.

The aim of this feasibility study is to build up an international network, to visit and analyze the individual areas and to develop a plan for a future implementation of a transnational project.

Project preparation budgets

Luxembourg: € 5.000,-
(SEK 51.020,-)

Sweden: SEK 186.594,-
(€ 18.286,-)



Project partners

Leader LAG Lëtzebuerg West

sarah.mathieu@leader.lu

www.letzebuergwest.lu



Leader LAG PH

jeanette.iunge@leaderph.se

www.leaderph.se



Schaff mat Päerd asbl

schaffmatpaerd@pt.lu

www.schaffmatpaerd.com



Hälde Hästkraft

sigvard@haldehastkraft.se

www.haldehastkraft.se



External experts

Uppsala University

wijnand.boonstra@geo.uu.se

www.uu.se



UPPSALA
UNIVERSITET

LyckeGård Group AB

jonas@lyckegard.com

www.lyckegard.com



Lycée Technique d'Ettelbruck

paul.schmit@ltett.lu

www.ltett.lu



Project duration and implementation

Project preparation from 2021 to 2022

- Meeting of all Leader groups and partners involved
- Study on the implementation of computer-aided design and testing in equipment development, using the example of a horse-drawn version of the mechanical and selective weed cutter CombCut for grassland.

External experts: Lycée Technique d'Ettelbruck
Section of environmental sciences

LyckeGård Group AB

- Research "(Re)turning to horses - The role of horsepower in regenerative farming and forestry" with survey on farms using work horses in Sweden and Luxembourg.

External expert: Uppsala University
Department of Earth Sciences
Natural resources and sustainable development

Project from 2023 to 2029

- Development, manufacturing and field testing of 7 new implements for small scale farming and gardening
- Public outreach with field days and open access in internet

The implements to be developed will be selected, designed and constructed in close cooperation with practitioners from Luxembourg and Sweden, according to the principles of bottom-up participation, technological co-design, and field laboratories. The development focus should be on innovation, suitability for everyday use under European farming and gardening conditions, self-maintenance as well as easiness for the work horse.

By field laboratories over several years, the required tractive efforts and working results of the implements will be evaluated on farms in Luxembourg and Sweden. The aim is to enable market gardeners and smallholder farms to equip themselves with state-of-the-art tools and increase their competitiveness in the context of a transition towards sustainable and regenerative agriculture.

Further information can be found under the following links:

<http://tporganics.eu/electronic-draft-and-support-measuring-device-for-animal-drawn-farm-implements/>
https://enrd.ec.europa.eu/lag/lu-005/offer/innovation-agriculture-gardening_en
<http://www.leaderph.se/beviljade-projekt/lag-har-prioriterat-ansokan-om-hastkraft/>